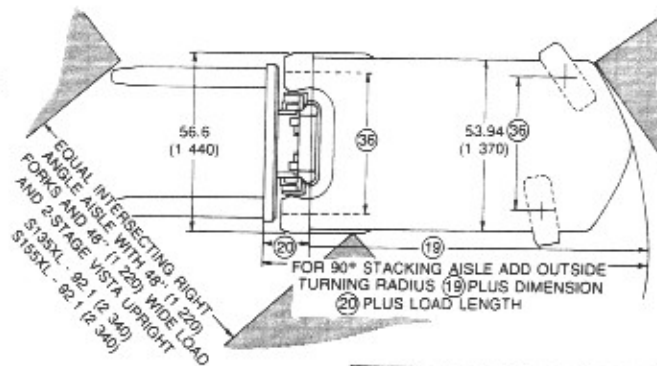
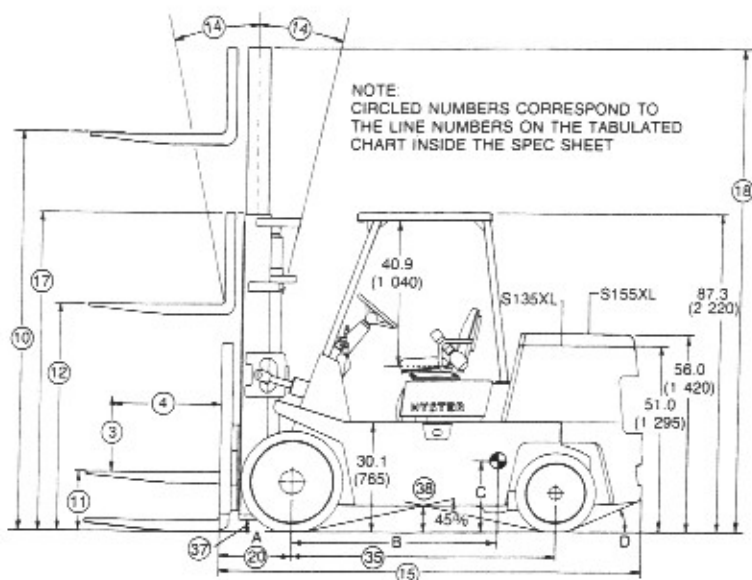




# HYSTER SPACESAVER 135-155XL

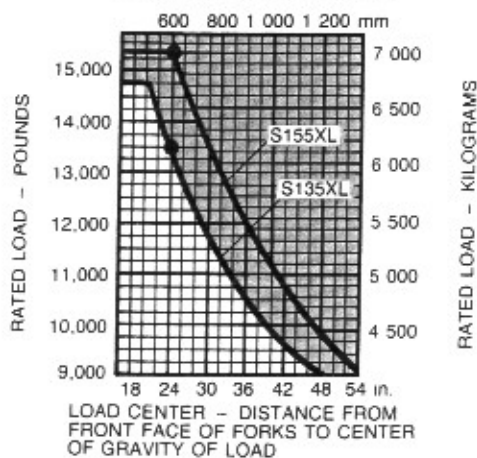
Figures represent inches, and in brackets, millimeters.



UPRIGHT	A
2-Stage VISTA	19.7 500
3-Stage VISTA	21.1 535

MODEL	B	C	D
S135XL	43.30	26.10	42%
S155XL	44.95	31.80	42%

## \*\*RATED CAPACITIES



MODEL	CAPACITY lb kg	LOAD CENTER in mm	MOMENT in-lb cm-kg
S135XL	13,500	24	589,950
	6 000	600	660 000
S155XL	15,500	24	677,350
	7 000	600	770 000

- \*\* CAPACITIES shown are for trucks equipped with:
- 2-Stage VISTA uprights up to 182.5" (4 635 mm) maximum fork height
  - 48" (1 220 mm) carriage and 48" to 72" (1 220 to 1 830 mm) forks as required
  - Load backrest extension
  - Contact your dealer for capacity information with other equipment

## EQUIPMENT

Complete trucks have GM V6-4.3L gasoline engine, powershift transmission, 134" (3 405 mm) VISTA 2-Stage upright, 48" (1 220 mm) hook type carriage, 48" (1 220 mm) forks, standard drive and steer tires, overhead guard/load backrest extension, horn, operator restraint, operator's manual, Monotrol pedal, 2-way valve and UL Classification G.

## ENGINE OPTIONS

**Gasoline or LPG:** GM V6-4.3L, 4 cycle, 6 cylinders, 262 cu. in. (4 300 cm<sup>3</sup>) displacement with 4.00" (102.0 mm) bore, 3.48" (88 mm) stroke. Overhead valve. Electronic governor, Pre-mesh starter mechanism. Heavy-duty, dry type air cleaner and pre-cleaner. Mechanically actuated fuel pump. 12-volt electrical system with High Energy Ignition. Automatic choke. Integrated distributor and coil, alternator, and dustproof starter. UL Classification G or LP standard.

**Diesel:** Perkins Model 1004-4, direct injected 4.0 liter, 4 cycle, 4 cylinders, 244 cu. in. (4 000 cm<sup>3</sup>) displacement with 3.94" (100 mm) bore, 5.00" (127 mm) stroke. Distributor type fuel injection pump with built-in governor and automatic advance and retard mechanism. A cold starter aid is provided in the intake manifold. Key actuated start/stop solenoid. UL Classification D standard.

**COOLING SYSTEM:** Liquid cooled, 15 psi (103 kPa) pressure system. Pusher type fan, 3.75" (95 mm) thick tube and fin radiator.

## FUEL CAPACITY

**Gasoline and Diesel:** 17.5 gallon (66 liter) capacity tank with fuel gauge. **LPG:** One I.C.C. 43.5 lb. (19.7 kg) capacity tank with fuel gauge. System includes relief valve, manual shut-off valve, fuel lock-off filter, electronic governor, regulator-vaporizer and LPG (IMPCO) carburetor.

## TRANSMISSION OPTIONS

**2-Speed Powershift Transmission:** Torque converter with 2.40:1 multiplication for gas/LPG; 2.87:1 for diesel and multiple disc clutches provide 2 speeds forward and 2 speeds reverse.

**Constant Mesh 3-Speed Transmission:** 13 in. (330 mm) diameter oil clutch, 3 speeds forward and reverse. Oil cooler and neutral start switch.

## BRAKES

12.4" (315 mm) dia. x 3.15" (80 mm) wide, 140 sq. in. (900 cm<sup>2</sup>) brake area. Hydraulic actuated brake booster. Hand operated mechanical parking brake (actuates service brakes).

## POWER STEERING

Hydrostatic. All hydraulic with provision for manual control

**HYDRAULIC SYSTEM:** Gear-type hydraulic pump, coupled to engine. 11-gallon (43.5 liters) capacity removable tank. Full time, full-flow, 25-micron filter element.

## INSTRUMENTS

Water temperature gauge, oil pressure indicator, (plus transmission oil temperature indicator with powershift), engine hour meter, fuel gauge, key ignition and starter switch, engine coolant gauge and oil clutch, clutch oil pressure.

## CARRIAGE: HOOK TYPE

Overall Widths  
Without Load Backrest Ext. 48.0" (1 220 mm)  
With Load Backrest Ext. 49.3" (1 250 mm)

## ITA Class Mounting IV

Fork Spacing -  
Inside to inside min. 48.0" (1 220 mm)  
Outside to outside max. 43.8" (1 110 mm)

## FORKS: HOOK TYPE

2.5" x 6.0" x 48.0" to 72.0" (65 x 150 x 1 220 to 1 830 mm) long